



# iTPC-H1562

V1.1

---

## Industrial Panel PC



15.6" TFT Fanless Panel PC

Intel® Celeron™ J1900

Fanless design and embedded installation



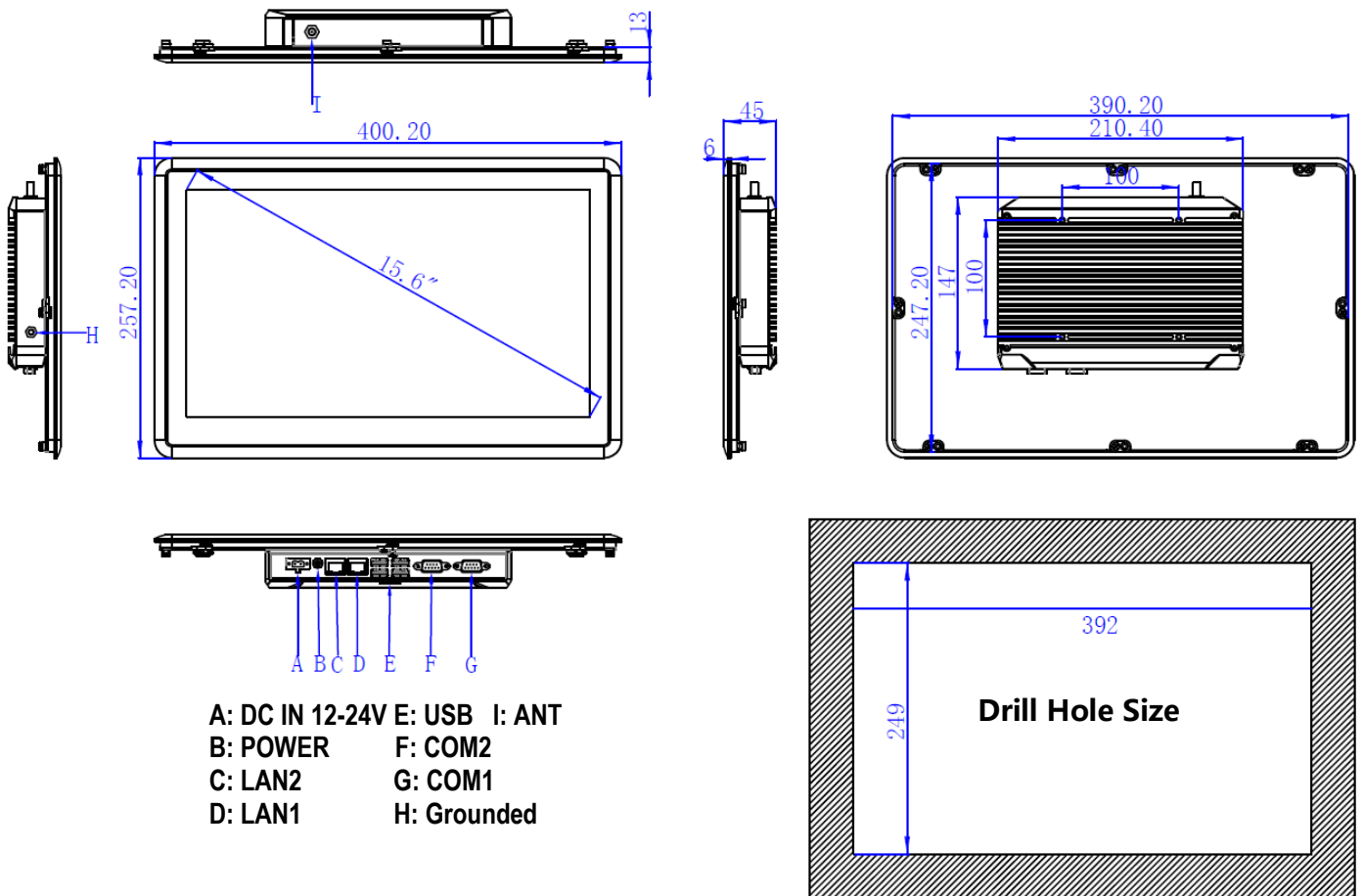


## Specification :

<b>Processor</b>	CPU	Intel® Celeron J1900
	Main Frequency	Dual Core 2.0 GHz
	L2 Cache	2MB
	Chipset	Intel Bay Trail
	RAM	Support DDR3L-1333 MHz, 1 * 204-pin SODIMM, Up to 8GB
	Storage	1 * mSATA
<b>Ethernet</b>	LAN1	Intel i210 Gbe LAN controller, RJ-45
	LAN2	Intel i210 Gbe LAN controller, RJ-45
<b>I/O</b>	Audio	Realtek ACL662, Line-out
	Serial port	2 x RS-232(RS-485 in option) Interface with surge protection
	USB	1* USB3.0+3* USB2.0
	Rear I/O	2* GLAN/ 4*USB/ 2*COM/ DC IN
	MiniPCle	1 * MINI- PCIe slot, extended to 3G and wifi card
<b>OS</b>	OS	Windows 7, Windows8, Windows10, Linux
<b>Power</b>	DC Input	12-24V DC
	Max. power consumption	38.6 Watt
<b>LCD</b>	LCD Type	15.6" TFT
	Resolution	1920 x 1080
	Colors	16.7MB
	Active Area	344.16 × 193.59 mm (13.55" × 7.62" )
	Backlight	LED
	MTBF (hour)	15000hrs
	Pixel Pitch (H x V)	0.179 x0.179
	Luminance	350cd/m2
	Contrast Ratio	800:1
	Viewing Angle	(L)85/(R)85/(T)85/(B)85
<b>Touchscreen</b>	Screen type	Multi- points Capacitive touch screen
	Transmittance	> 87%
	Controller	USB interface
	Driver support	Windows 7, Windows8, Windows10, Linux
	Surface Hardness	Mohs Hardness 7H
	Multi-touch	10 points when using Windows system
<b>Physical</b>	Size	400.2mm x 257.2mm x 45mm (15.76 x 10.13 x 1.77") (W x H x D)
	Drill Hole Size	392mm x 249mm (15.43 x 9.8")(W x H)
	Net Weight	3.65kg(8.05lb)
<b>Environmental</b>	Operating Temperature	-10 ~ 50° C (14 °F ~122 °F ) Use a wide temperature grade SSD
	Storage Temperature	-20 ~ 70°C (-4 ~ 158 °F )
	Relative Humidity	10~95% RH@40°C,non-condensing
	Vibration	SSD applied: 1.5 Grms, IEC 60068-2-64, random, 5 ~ 500 Hz, 1 hr/axis
	Shock	SSD applied: 10 G, IEC 60068-2-64, Half-sine wave, 11ms duration
	EMC	CE/FCC Class A
	Water-proof	Front panel IP65

Dimension:

Unit: mm



### Ordering Information:

Model	Specification
iTPC-H1562-J1900-4G-128G	15.6"LCD/Intel J19002.0G Quad core CPU/ 4GDDR3 / 128G SSD /2*RS232 (RS485 in option)/ 2*LAN /1*USB3.0/ 3*USB2.0/ Capacitive Touch/ Resolution 1920*1080/DC12V-24V input

### Optional parts :

Part No.	Specification
504020001	WIFI kit (7260HMWBN) Round antenna
504010001	Mobile kit EC20(4G/3G Module ) MINI PCIE