

iTPC-H2152

V1.1

Industrial Panel PC



21.5" Full HD Fanless Panel PC

Intel® Celeron™ J1900

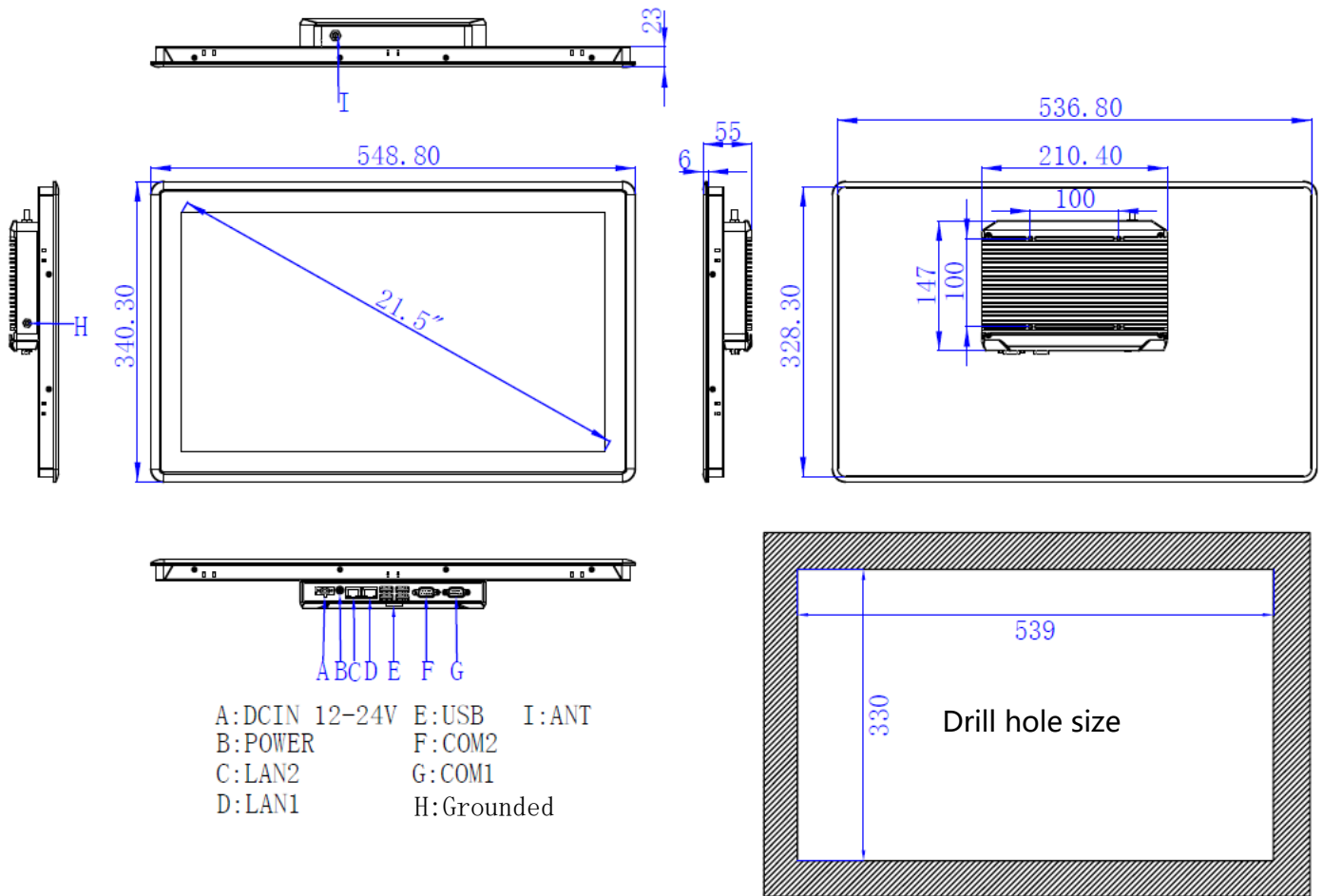
Fanless design and embedded installation





Specification :

Processor	CPU	Intel® Celeron J1900
	Main Frequency	Dual Core 2.0 GHz
	L2 Cache	2MB
	Chipset	Intel Bay Trail
	RAM	Support DDR3L-1333 MHz, 1 * 204-pin SODIMM, Up to 8GB
	Storage	1 * mSATA
Ethernet	LAN1	Intel i210 Gbe LAN controller, RJ-45
	LAN2	Intel i210 Gbe LAN controller, RJ-45
I/O	Audio	Realtek ACL662, Line-out
	Serial port	2 x RS-232(RS-485 in option) Interface with surge protection
	USB	1* USB3.0+3* USB2.0
	Rear I/O	2* GLAN/ 4*USB/ 2*COM/ DC IN
	MiniPCle	1 * MINI- PCIe slot, extended to 3G and wifi card
OS	OS	Windows 7, Windows8, Windows10, Linux
Power	DC Input	12-24V DC
	Max. power consumption	46.4 Watt
LCD	LCD Type	21.5" Full HD TFT
	Resolution	1920 x 1080
	Colors	16.7MB
	Active Area	476.64mm × 268.11mm (18.77" × 10.56")
	Backlight	LED
	MTBF (hour)	30000hrs
	Pixel Pitch (H x V)	0.248 x 0.248
	Luminance	250cd/m2
	Contrast Ratio	3000:1
	Viewing Angle	(L)89/(R)89/(T)89/(B)89
Touchscreen	Screen type	Multi- points Capacitive touch screen
	Transmittance	> 87%
	Controller	USB interface
	Driver support	Windows 7, Windows8, Windows10, Linux
	Surface Hardness	Mohs Hardness 7H
	Multi-touch	10 points when using Windows system
Physical	Size	548.8mm x 340.30mm x 55mm (21.6" x 13.4" x 2.17") (W x H x D)
	Drill Hole Size	539mm x 330mm(21.22"x 12.99") (W x H)
	Net Weight	5.99kg(13.20lb)
Environmental	Operating Temperature	-10 ~ 50° C (14 °F ~122 °F) Use a wide temperature grade SSD
	Storage Temperature	-20 ~ 70°C (-4 ~ 158 °F)
	Relative Humidity	10~95% RH@40°C,non-condensing
	Vibration	SSD applied: 1.5 Grms, IEC 60068-2-64, random, 5 ~ 500 Hz, 1 hr/axis
	Shock	SSD applied: 10 G, IEC 60068-2-64, Half-sine wave, 11ms duration
	EMC	CE/FCC Class A
	Water-proof	Front panel IP65



Ordering Information:

Model	Specification
iTPC-H2152-J1900-4G-128G	21.5"LCD/Intel J1900 2.0G Quad core CPU/ 4GDDR3 / 128G SSD /2*RS232 (RS485 in option)/ 2*LAN /1*USB3.0/ 3*USB2.0/ Capacitive Touch/ Resolution 1920*1080/DC12V-24V input

Optional parts :

Part No.	Specification
504020001	WIFI kit (7260HMWBN) Round antenna
504010001	Mobile kit EC20(4G/3G Module) MINI PCIE